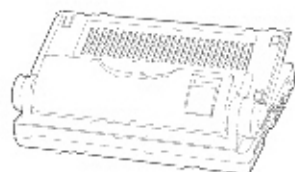


**Panasonic®**

**Expansion Stand**

**OPERATING INSTRUCTIONS**

---



**CF-VEB011**

---

**Contents**

<b>Introduction .....</b>	<b>3</b>
<b>Names and Functions of Parts .....</b>	<b>4</b>
<b>Connecting/Disconnecting ..</b>	<b>6</b>
<b>Adjusting the Tilt .....</b>	<b>9</b>
<b>Starting Up/Shutting Down ..</b>	<b>11</b>
<b>Floppy Disks .....</b>	<b>13</b>
<b>Using PC Cards .....</b>	<b>15</b>
<b>Dealing with Problems .....</b>	<b>16</b>
<b>Specifications .....</b>	<b>18</b>

---

## Introduction

Thank you for purchasing the Panasonic CF-VEB011. Please read the Operating Instructions thoroughly for proper operation.

## Copyright

This manual is copyrighted by Matsushita Electric Industrial Co., Ltd. with all rights reserved. No part of this manual may be reproduced in any form without the prior written permission of Matsushita Electric Industrial Co., Ltd.

No patent liability is assumed with respect to the use of the information contained herein.

©Matsushita Electric Industrial Co., Ltd. 1997. All Rights Reserved.

## Trademarks

Microsoft®, MS-DOS® and Windows® are registered trademarks of Microsoft Corporation of the United States and/or other countries.

PS/2™ is a trademark of International Business Machines Corporation.

Panasonic® is a registered trademark of Matsushita Electric Industrial Co., Ltd.

## Federal Communications Commission Radio Frequency Interference Statement

Note: This equipment has been tested and found to comply with the limits for a Class B digital device, pursuant to Part 15 of the FCC Rules. These limits are designed to provide reasonable protection against harmful interference in a residential installation. This equipment generates, uses and can radiate radio frequency energy and, if not installed and used in accordance with the instructions may cause harmful interference to radio communications. However, there is no guarantee that interference will not occur in a particular installation. If this equipment does cause harmful interference to radio or television reception, which can be determined by turning the equipment off and on, the user is encouraged to try to correct the interference by one or more of the following measures:

- Reorient or relocate the receiving antenna.
- Increase the separation between the equipment and receiver.
- Connect the equipment into an outlet on a circuit different from that to which the receiver is connected.
- Consult the Panasonic Service Center or an experienced radio/TV technician for help.

### Warning

To assure continued compliance, use only shielded interface cables when connecting to a computer or peripheral. Also, it is recommended the provided ferrite cores be mounted onto the interface cables to increase the level of protection from undesirable interference. Any changes or modifications not expressly approved by the party responsible for compliance could void the user's authority to operate this equipment.

This device complies with Part 15 of the FCC Rules. Operation is subject to the following two conditions:

- (1) This device may not cause harmful interference, and
- (2) This device must accept any interference received, including interference that may cause undesired operation.

# Introduction

## Precautions

- **Do not incline the computer at an angle toward you from the perpendicular.**  
The computer may topple over, damaging the display and causing injury.
- **Do not move the expansion stand with the AC adapter still connected.**
- **Before carrying, first turn off the computer** (check that the POWER indicator on the computer has gone off).
- **When carrying, you must hold both the computer and the expansion stand.**  
If only one of these units is held, the other unit may become disconnected, fall onto the floor and malfunction.

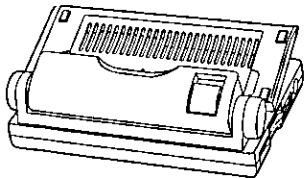
### NOTE

Before using the expansion stand, read this instruction manual and the relevant portions of the computer's instruction manual carefully.

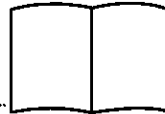
## Confirm the Inclusion of All Parts

Make sure the parts shown in the figure have been supplied. If any of them is missing or is not working properly, please consult your nearest Panasonic dealer.

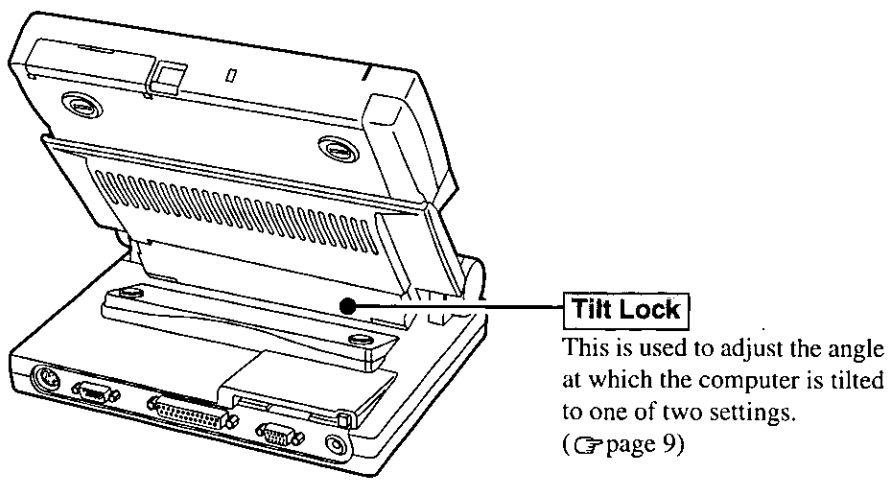
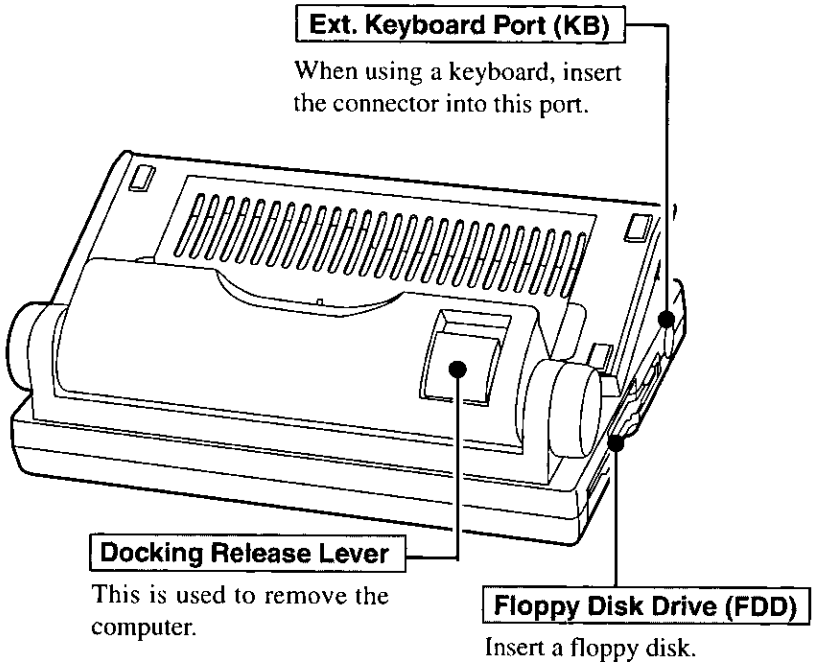
Expansion Stand ..... 1

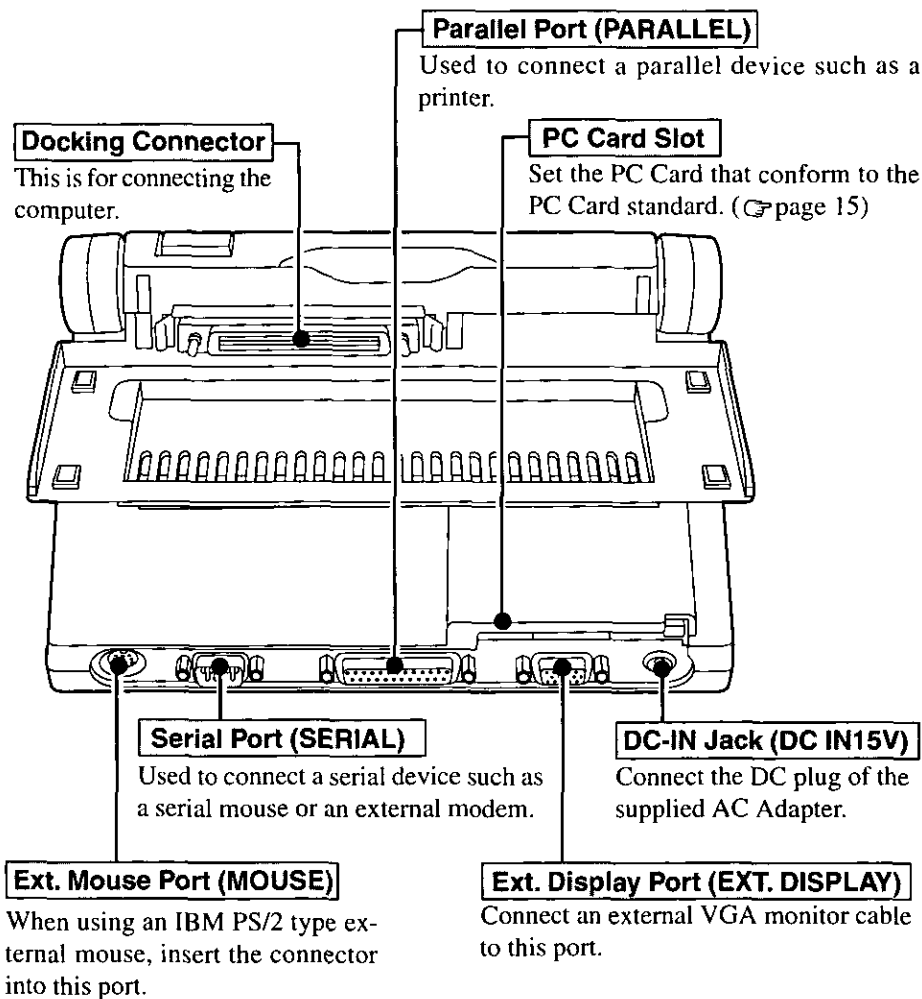


Operating Instructions ..... 1



# Names and Functions of Parts





### CAUTION

- When the expansion stand is used, do not use the serial port, ext. mouse/ keyboard port or DC-IN jack on the computer.
- Be absolutely sure to switch off the power to the computer and peripheral devices before connecting or disconnecting the peripheral devices. Failure to do so may cause damage to the system.  
After devices have been connected, check that the connections are secure.

# Connecting/Disconnecting

## Connecting the Computer

### 1 Power off your computer. (☞ page 12)

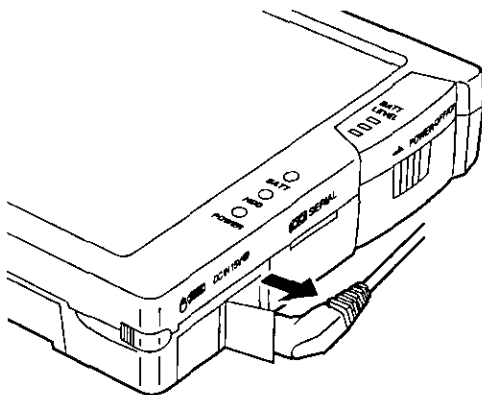
Connecting the computer is possible even while the computer is in the suspend or hibernation mode or while its power is on.

#### CAUTION

Before connecting the computer in the suspend or power-on status on the expansion stand, check that the computer's battery has a sufficient charge.

### 2 Disconnect the AC adapter.

Check that the power is off, and disconnect the AC adapter from the computer.

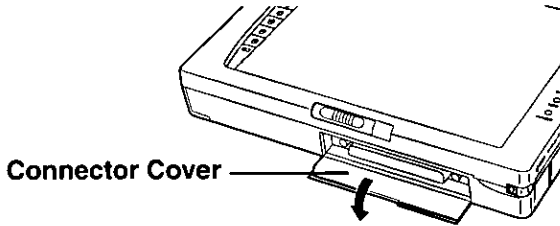


#### CAUTION

When the serial cable, AC adapter, keyboard and/or mouse are connected to the computer, disconnect all the cables, and then attach the computer to the expansion stand. Attaching the computer while its cables are still connected can result in damage.

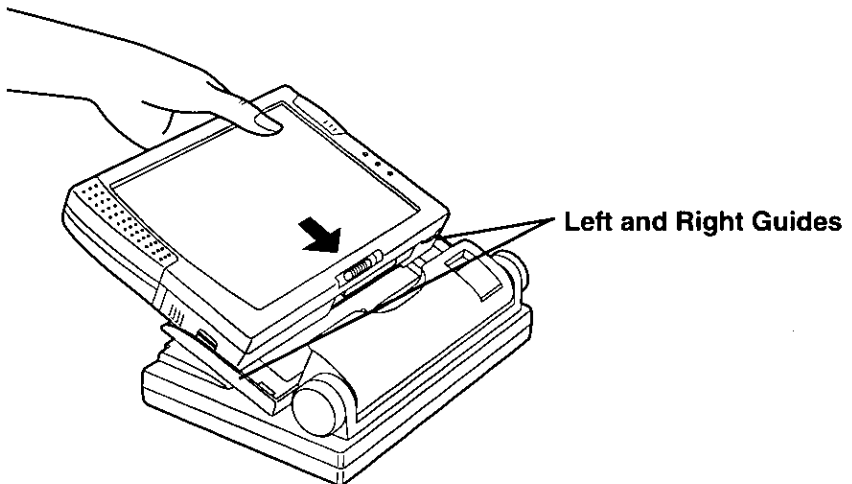
### 3 Open the connector cover.

Open the connector cover on the computer's front panel, and turn it toward the back of the unit to lock it in position.



### 4 Connect the computer.

- ① Disconnect the cover of the expansion stand's docking connector.
- ② Insert the computer slowly so that it is aligned with the left and right guides of the expansion stand until it clicks into position.



#### CAUTION

- Attach the cover over the docking connector if the expansion stand is not going to be used for a long time.
- When attaching the computer, keep the tilt angle of the expansion stand close to the horizontal.

# Connecting/Disconnecting

## Disconnecting the Computer

### 1 Power off your computer. (☞ page 12)

Removing the computer is possible even while the computer is in the suspend or hibernation mode or while its power is on.

#### CAUTION

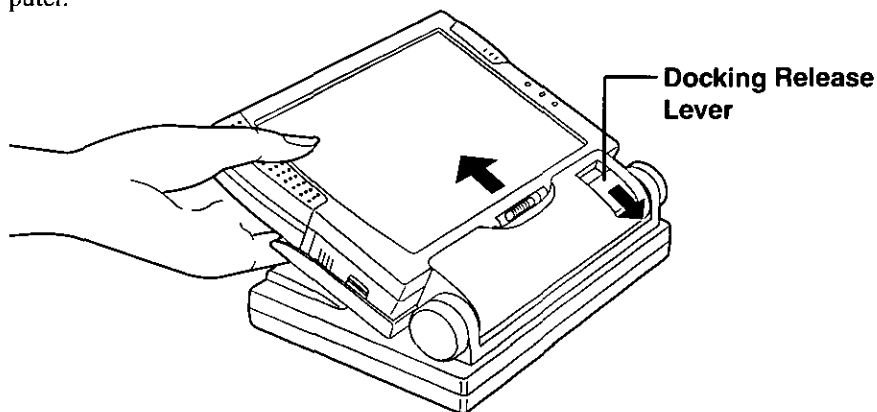
Before removing the computer in the suspend or power-on status from the expansion stand, check that the computer's battery has a sufficient charge.

### ● While Windows 95 is running

- 1 Tap [Eject PC] from the [Start] menu.
- 2 Wait until the [Dock Change] message is cleared.

### 2 Disconnect the computer.

Use one hand to support the computer and the other to move the docking release lever on the expansion stand in the direction of the arrow to disengage the computer.



#### CAUTION

- You must support the computer with one hand when disengaging it.
- Do not pull on the computer to forcibly disengage it.
- When disengaging the computer, keep the tilt angle of the expansion stand close to the horizontal.



# Adjusting the Tilt

The angle can be used to one of two settings using the tilt lock. When using only the stylus, keep the computer flat; when using the keyboard, use it in the upright position.

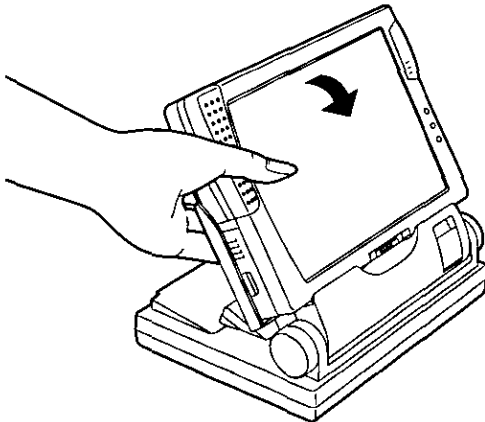
## CAUTION

- Do not incline the computer at an angle toward you from the perpendicular. The computer may topple over, damaging the display and causing injury.
- The computer must be supported when the tilt lock is to be moved.
- Do not pinch your finger between the computer and expansion stand.

## Setting the Computer Upright (when using the keyboard)

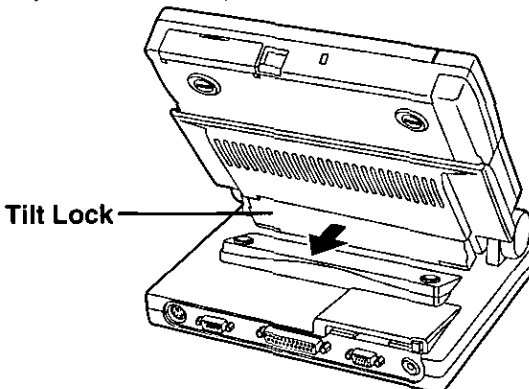
### 1 Bring the computer up.

Support the computer with one hand and bring it up until it is nearly upright.



### 2 Tilt back the computer.

When the computer is now slowly tilted back a little, it will stop at an easy-to-view angle.

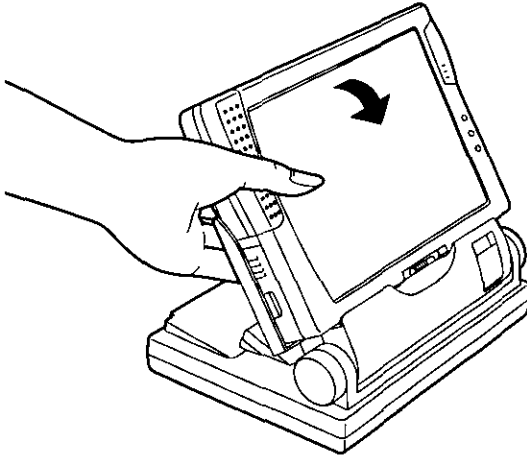


# Adjusting the Tilt

## Laying the Computer Flat (when using only the stylus)

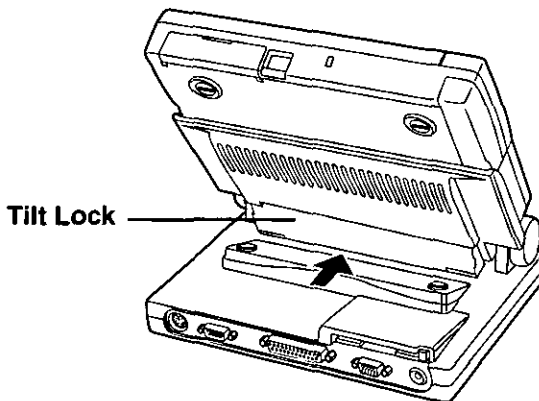
### 1 Bring the computer up.

Support the computer with one hand and bring it up until it is nearly upright.



### 2 Return the tilt lock.

Use the other hand to return the tilt lock in the direction of the arrow while slowly laying the computer flat.

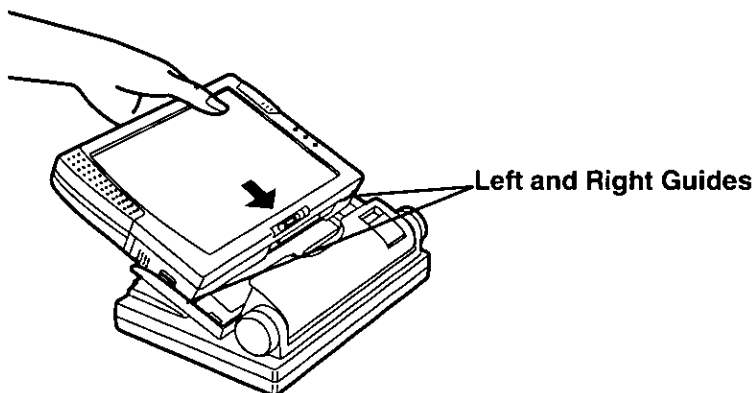


# Starting Up/Shutting Down

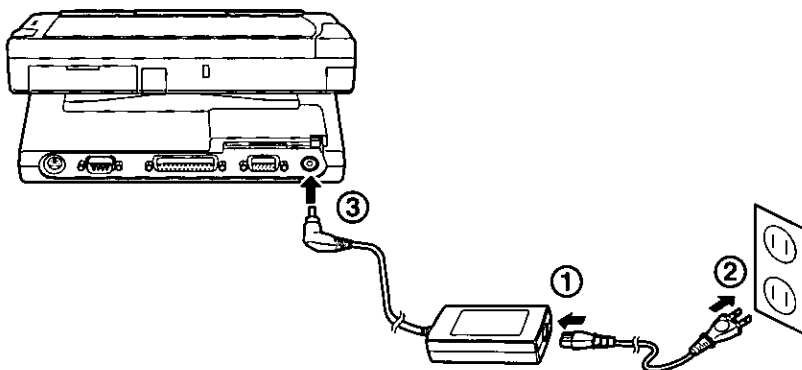
## Starting Up

### 1 Connect the computer to the expansion stand.

Refer to "Connecting/Disconnecting". (☞ page 6)



### 2 Connect the expansion stand to a power outlet.



## CAUTION

### Handling the AC adapter

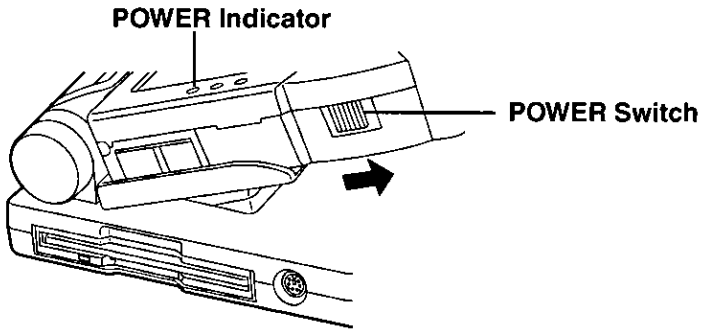
- Use only the specified AC adapter supplied with your computer. Using an AC adapter other than the one specified or car adapter might damage the expansion stand and/or the computer.
- When the DC plug is not connected to the expansion stand, disconnect the AC cord from your AC wall outlet as well.

(If the AC adapter and battery pack are connected, approx. 1.2 W of power are consumed even when the POWER switch is OFF.)

# Starting Up/Shutting Down

## 3 Turn your computer on.

Move the POWER switch in the direction of the arrow and hold one second until the POWER indicator goes on before releasing it.

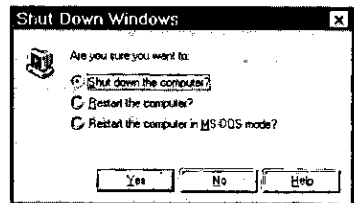


### CAUTION

Do not move the POWER switch repeatedly.

## Shutting Down (power off your computer)

1 To shut down, save all data and tap [Shut Down] from the [Start] menu.



2 Confirm shutdown.

Tap [Yes] to confirm shutdown.

Your computer will power off automatically.

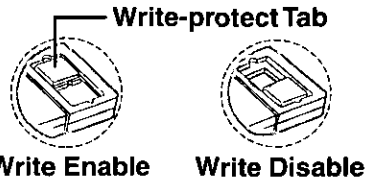
### CAUTION

- After you have turned your computer off, you must wait ten seconds before you can turn it back on.
- Do not power off your computer while HDD indicator is on. It may damage data on the hard disk.
- If the unit is not going to be used for a prolonged period of time, set the computer's POWER switch to OFF and disconnect the AC adapter from the power outlet in order to conserve power.  
(If the AC adapter and battery pack are connected, approx. 1.2 W of power are consumed even when the POWER switch is OFF.)

# Floppy Disks

## Saving Data on Floppy Disks

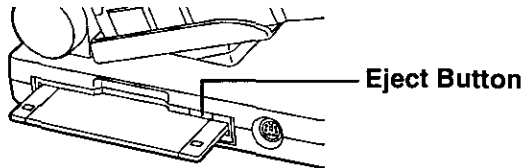
- **Do not power down your computer or press the floppy disk drive eject button while the FDD indicator is on.**  
Doing so may damage the data on the floppy disk and render the disk useless.
- **Use care when handling floppy disks.**  
To protect the data on your floppy disks or to prevent a floppy disk from becoming stuck in the expansion stand, avoid the following:
  - Sliding the shutter on the floppy disk manually.
  - Exposing the disk to a magnetic field.
  - Storing the disk in locations prone to high temperatures, low pitched noise, dampness, or dust.
  - Applying more than one label on the disk.
- **Confirm the contents of a floppy disk before formatting it.**  
Confirm that no important data is on the disk, because all data on the disk will be erased.
- **Use the write-protect tab.**  
This is a must for preserving important data. This prevents your data from being erased or overwritten.



## Inserting and Ejecting Floppy Disks

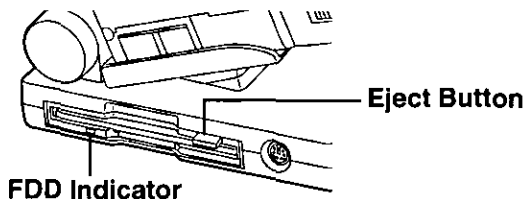
### ● Inserting a floppy disk

Insert the floppy disk all the way until the floppy disk eject button pops out.



### ● Ejecting a floppy disk

After checking that the FDD indicator is not lighted, press the floppy disk eject button to eject the disk.



# Floppy Disks

## NOTE

- **Formatting**

New disks must be magnetically laid out and structured. This process is called “formatting”.

- **Types of usable floppy disks and their memory capacities**

Floppy disks come in two types: 2HD and 2DD. Their respective memory capacities are given below.

2HD ... 1.44 MB

2DD ... 720 KB

- **Backups**

Data stored on the hard disk can be destroyed by mistakes made in operation. To prevent the deletion of data, make backups of the data (by copying the files) on floppy disks.

# Using PC Cards

The expansion stand has a PC Card slot. One Type I/II can be installed.

A PC card is a card which complies with the PC Card standard. Modem cards, memory cards, LAN cards and sound cards are all PC cards.

When the expansion stand is used, it is possible to use 3 slots including the 2 slots in the computer.

## CAUTION

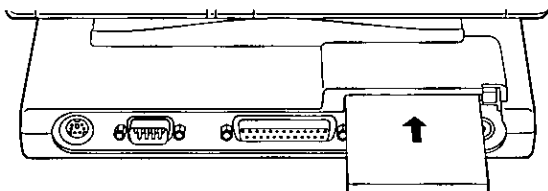
Always confirm the power consumption of PC Cards before use. Care should be taken as using PC Cards whose power consumption exceeds the allowable power requirements of the PC Card slot may cause malfunctions.

Allowable Current : 5 V : 300 mA / 12 V : 50 mA

## ● Installing the PC Card

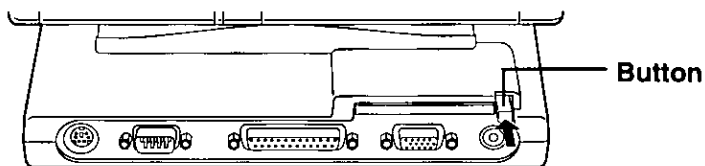
Simply slide the PC Card in until it snaps into place.

Please refer to the manual for each card on how to install the card (insertion is typically label-side up).

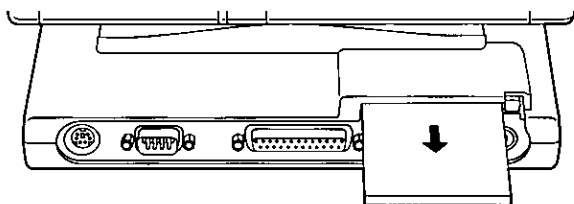


## ● Removing the PC Card

**1** Press the button.



**2** Remove the card by pulling it out.



# Dealing with Problems

The computer may sometimes not function as you expect it to. If you believe that trouble has occurred, read this page. Also, the software program may be to blame and so you should consult the manuals accompanying Windows, the applications and other programs. If the cause of the trouble is not remedied by taking the action suggested below, consult your nearest Panasonic dealer.

<b>The computer doesn't operate.</b>	<ul style="list-style-type: none"><li>● Check that connections are secure between the computer and the expansion stand.</li><li>● Check that connections are secure between the expansion stand and the AC adapter, and between the AC power cord and AC wall outlet.</li><li>● Confirm that a fully charged battery pack is installed in the computer properly.</li></ul>
<b>The keyboard doesn't work.</b>	<ul style="list-style-type: none"><li>● Ensure that the keyboard cable is connected securely to the expansion stand.</li></ul>
<b>The mouse doesn't work.</b>	<ul style="list-style-type: none"><li>● Ensure that the mouse cable is connected securely to the expansion stand.</li><li>● Has the mouse's device driver program been loaded and is it operating? For details, refer to the manual accompanying the application being used or the mouse's program manual.</li></ul>
<b>The printer doesn't work.</b>	<ul style="list-style-type: none"><li>● Check the computer-printer connection.</li><li>● Make sure the printer is on.</li><li>● Make sure the printer is in the online state.</li><li>● Has the System Setup been used to set [Parallel Port Address] to [3BC], [378] or [278].</li></ul>
<b>The computer won't access the floppy disk drive.</b>	<ul style="list-style-type: none"><li>● Ensure that you have connected the expansion stand securely</li><li>● Ensure that you have inserted the floppy disk securely into the drive.</li><li>● Did you attempt to write to or read from a non-formatted disk? Floppy disks must be formatted before they can be used.</li><li>● Ensure that the write-protect tab is in the write-enable position.</li><li>● Ensure that you didn't mistype the command. Also check for mistakes in the command parameters.</li></ul>



**The PC Card cannot be used.**

- Check the orientation of the card, and install it in the correct slot.
- Are you using a card other than those specified?
- Has the proper driver program been installed?
- Check the I/O port address, IRQ number and channel used by the PC Card and set again.

**<I/O Address>**

Set addresses other than those listed below.

I/O: 0000H-00FFH (system board reserved)  
x1F0H-x1F7H (HDD)  
x278H-x27FH (Parallel port)\*<sup>2</sup>  
x2F8H-x2FFH (IrDA port)\*<sup>1</sup>  
x378H-x37FH (Parallel port)\*<sup>2</sup>  
x3B0H-x3BBH (VGA)  
x3BCH-x3BFH (Parallel port)\*<sup>2</sup>  
x3C0H-x3DFH (VGA)  
x3E0H-x3E1H (PC Card controller)  
x3F0H-x3F7H (Floppy disk controller)  
x3F8H-x3FFH (Serial port)\*<sup>3</sup>

An "x" in front of an address denoted that the address cannot be used regardless of the values of the address line (A15-A10).

\*<sup>1</sup> The infrared communication (IrDA) port address can be selected 3F8, 2F8, 3E8, 2E8 or OFF using the System Setup program.

\*<sup>2</sup> The parallel port address can be selected 3BC, 378, 278 or OFF using the System Setup program.

\*<sup>3</sup> The serial port address can be selected 3F8, 2F8, 3E8, 2E8 or OFF using the System Setup program.

**<IRQ Number>**

Use one of the following settings.

IRQ: 3\*<sup>1</sup>, 4\*<sup>2</sup>, 5\*<sup>3</sup>, 7\*<sup>3</sup>, 9, 15

\*<sup>1</sup> IRQ3 is normally used for the COM2 (infrared communication port).

\*<sup>2</sup> IRQ4 is normally used for the COM1 (serial port).

\*<sup>3</sup> IRQ5 and IRQ7 are normally used for the printer.

When IRQ3 or IRQ4 is used by the PC Card, set the serial port or infrared communication (IrDA) port to [OFF] in the System Setup program.

# Specifications

<b>Model No.</b>		CF-VEB011M
<b>Product Designation</b>		Expansion Stand
<b>Floppy Disk Drive</b>		720 KB/1.44 MB (dual mode)
<b>Card Slot</b>		PC Cards only, One Type I or Type II
		Allowable current
		5 V: 300 mA
		12 V: 50 mA
<b>Interface</b>	Parallel Port	Dsub 25-pin male
	Serial Port	Dsub 9-pin male
	Ext. Keyboard Port	Mini DIN 6-pin female
	Ext. Mouse Port	Mini DIN 6-pin female
	Ext. Display Port	Dsub 15-pin female
<b>AC Adapter</b>	Input	AC 100 - 240 V, 50 / 60 Hz
	Output	DC 15.1 V, 2.6 A
<b>Power Consumption</b>		Approx. 24 W <sup>*1</sup> (Approx. 6 W <sup>*2</sup> in standby mode)
<b>Physical Dimensions (W X H X D)</b>		218 mm X 71 mm X 152 mm (8.6" X 2.8" X 6.0")
<b>Weight</b>		Approx. 900 g (Approx. 2.0 lbs)

\*1 Maximum power consumption during operation

\*2 Energy consumption efficiency required by the Energy Saving Law

The AC adapter consumes approx. 1.2 W of power even when it is not connected to the expansion stand.

The battery power consumption of the computer is approx. 130 mW when the power is off.